

SMART-Line

For a well-groomed cityscape!

All products of the SMART-Line family



The new SMART-Line, there is no reason to hide it!

The new SMART-Line, an elegant and effective design. A harmonious form and elegant design for a very well-groomed cityscape.



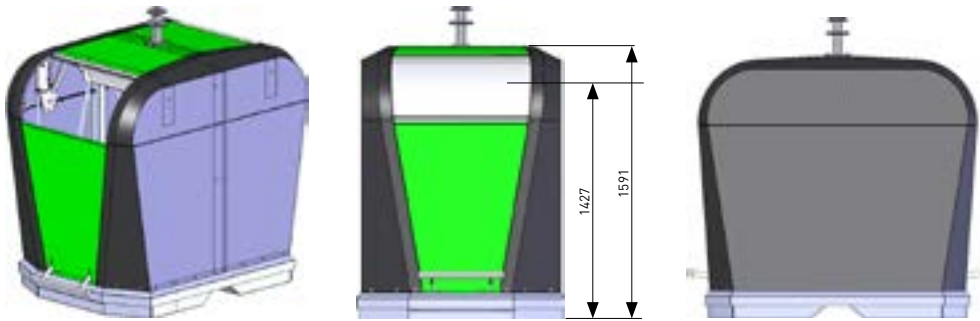
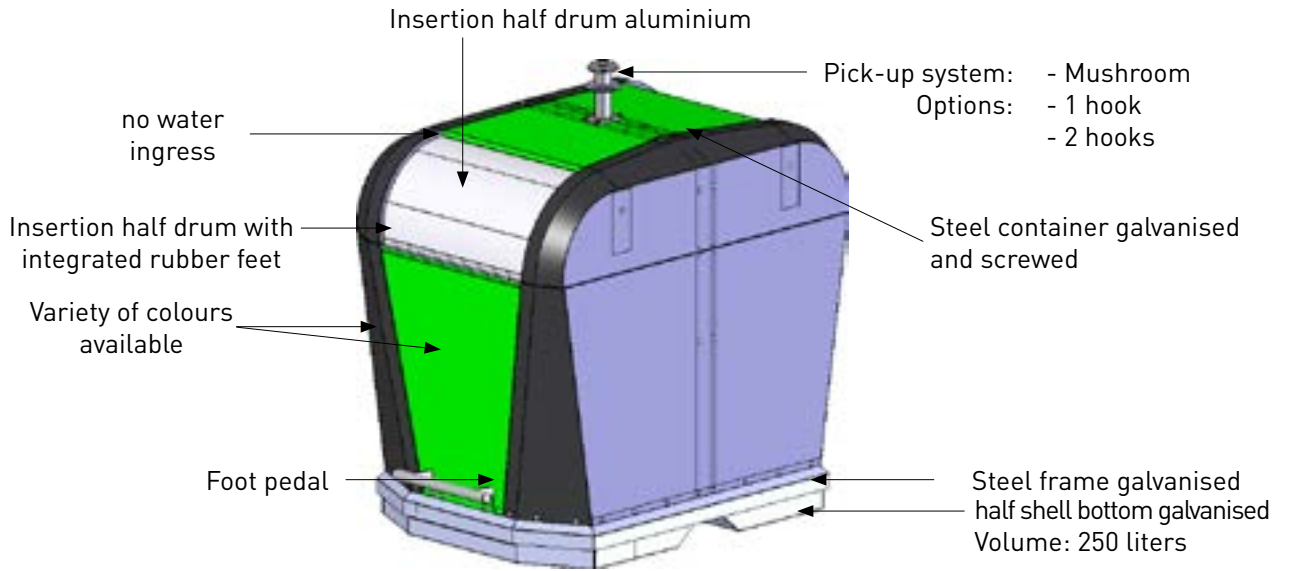
An intelligent solution, made for you, with a mature technology, that you can rely on. The new SMART-Line Family is fast, reliable and extremely comfortable in use, without any effort.



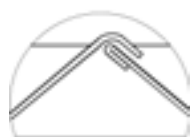
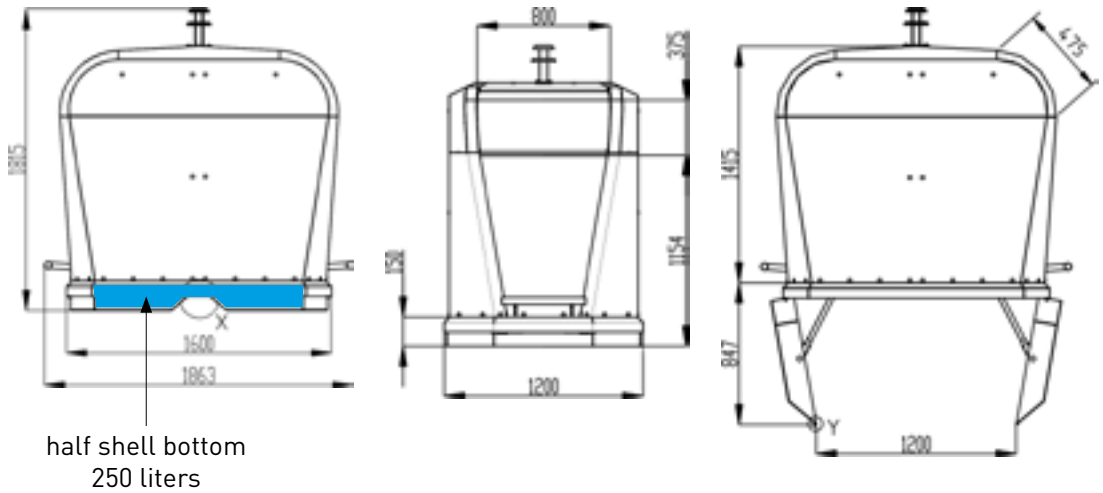
In addition to the very high operator convenience, the new SMART-Line includes an ideal insertion height for a faster and more convenient disposal.



SMART-Line Container

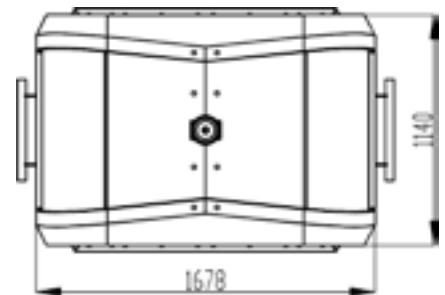


SMART-Line SL 120



overlapping
bottom

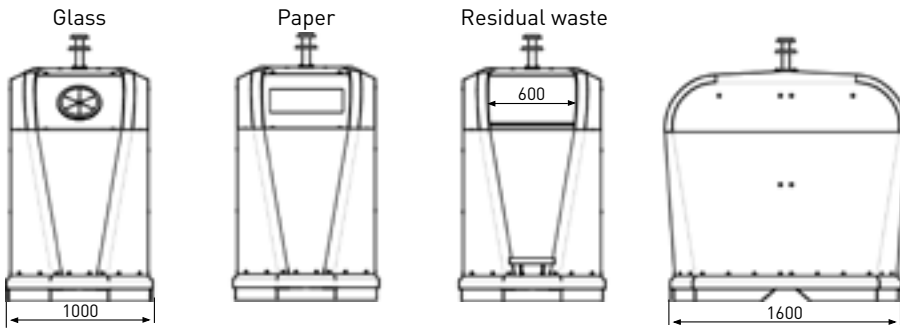
Detail X
Scale 1:2



Overview

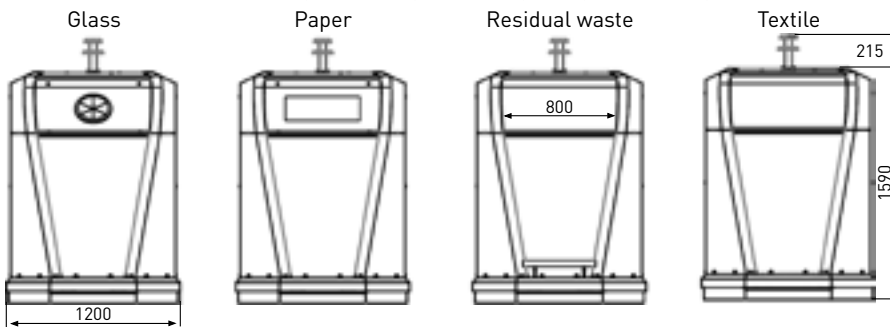
SMART-Line SL 100

Content: 2.5m³ | Dead weight: 250kg | Filling weight: 950 kg | Content half shell bottom: 210l



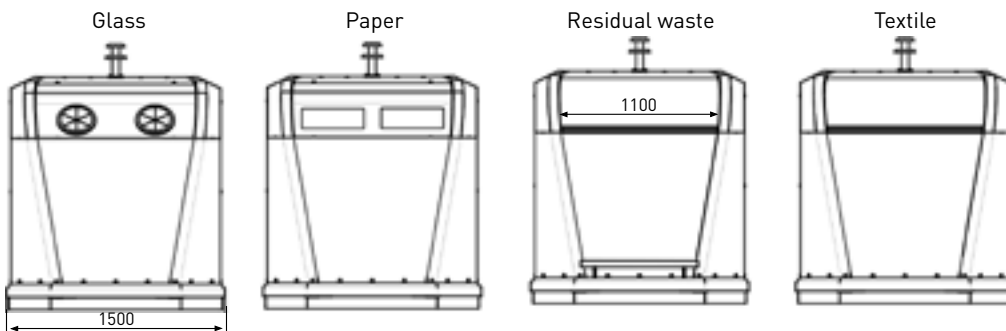
SMART-Line SL 120

Content: 3m³ | Dead weight: 270kg | Filling weight: 1050kg | Content half shell bottom: 250l



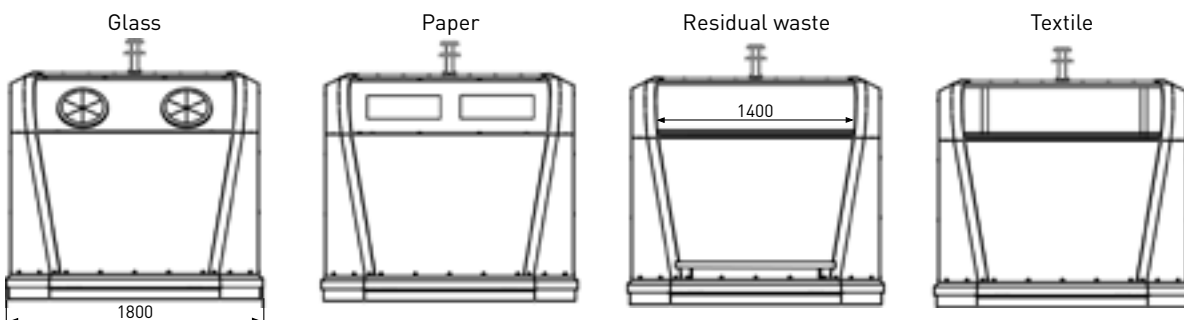
SMART-Line SL 150

Content: 3.8m³ | Dead weight: 310kg | Filling weight: 1200kg | Content half shell bottom: 320l

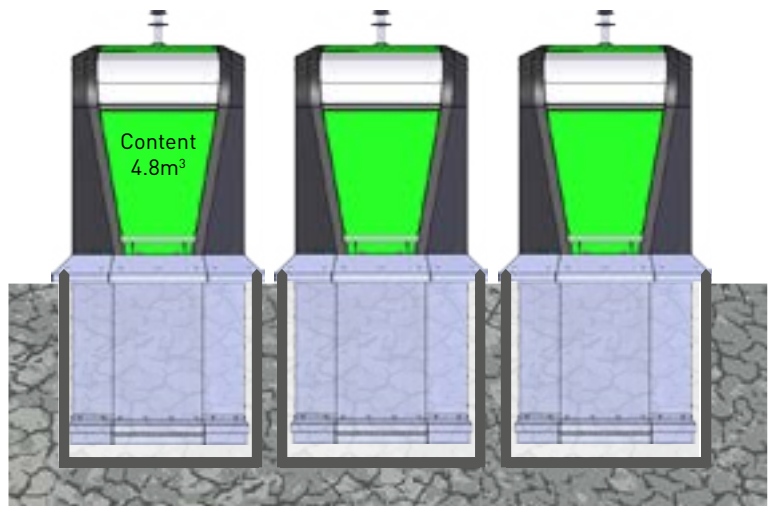
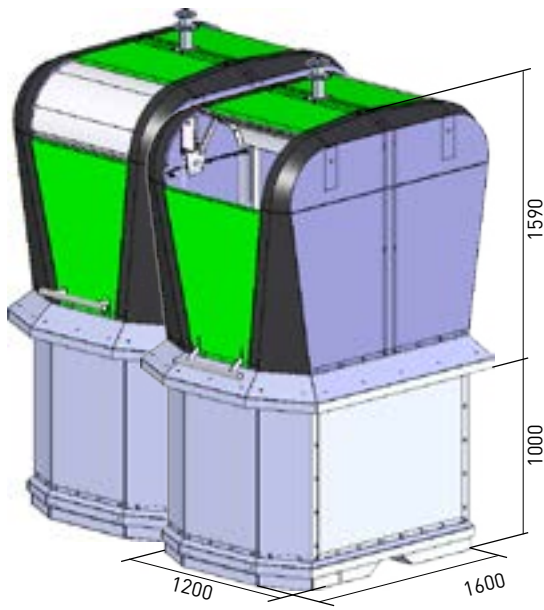


SMART-Line SL 180

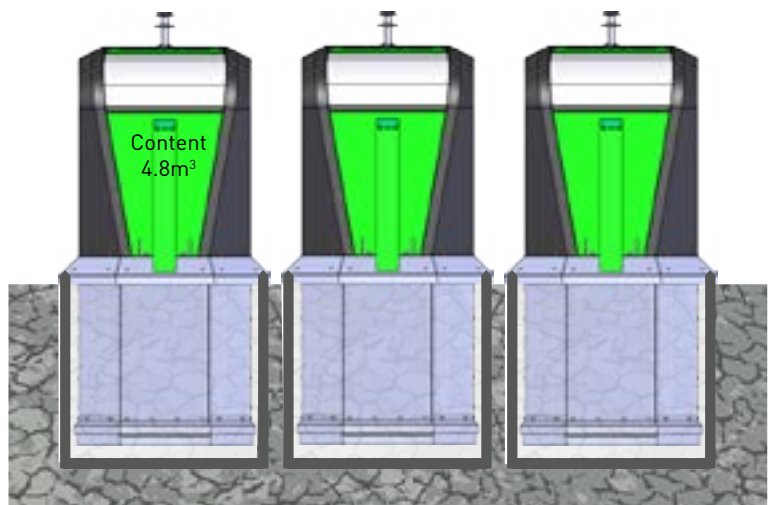
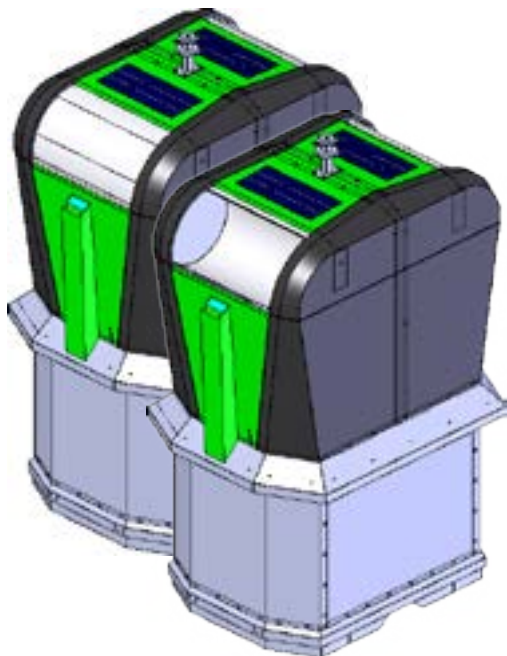
Content: 4.6m³ | Dead weight: 360kg | Filling weight: 1300kg | Content half shell bottom: 400l



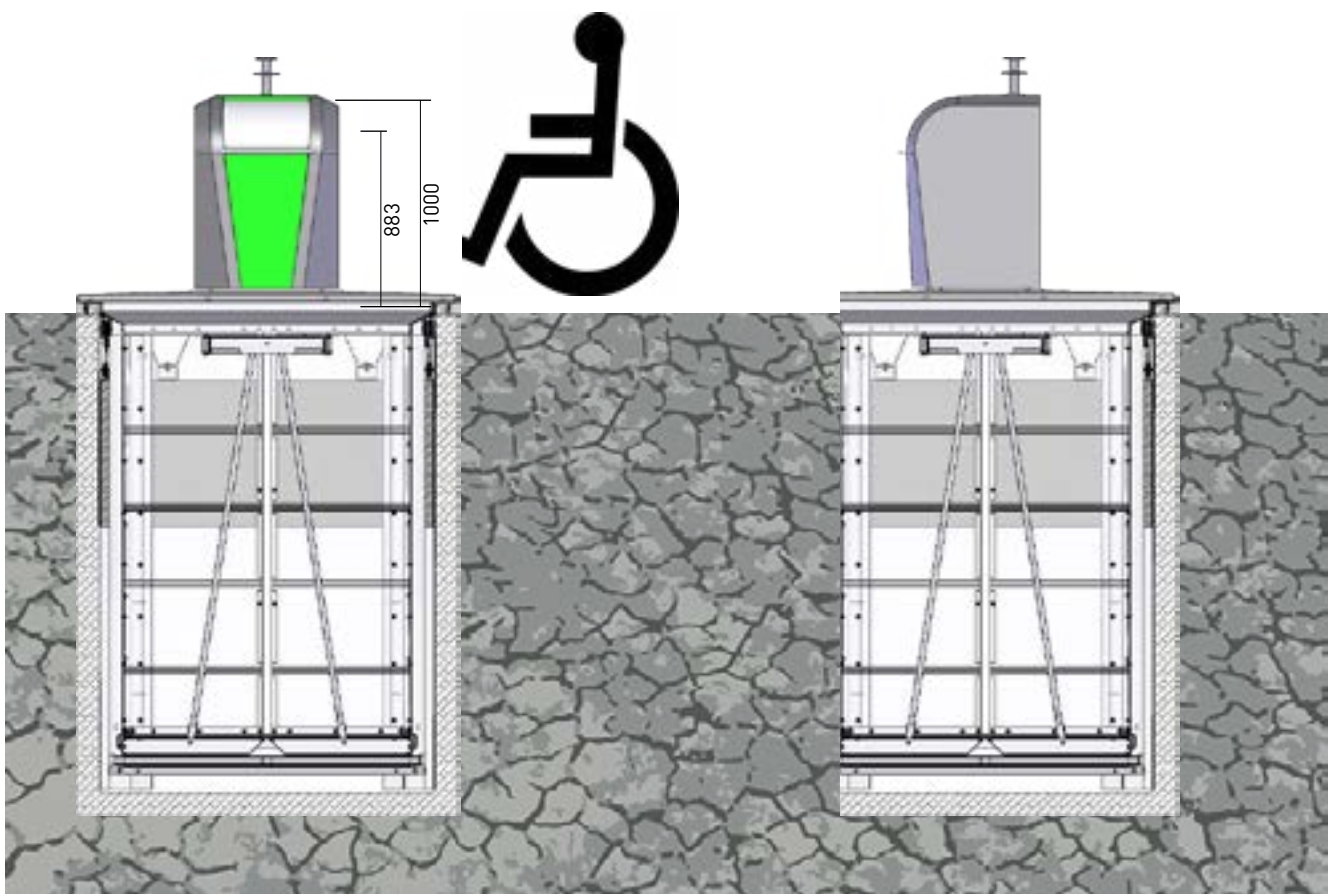
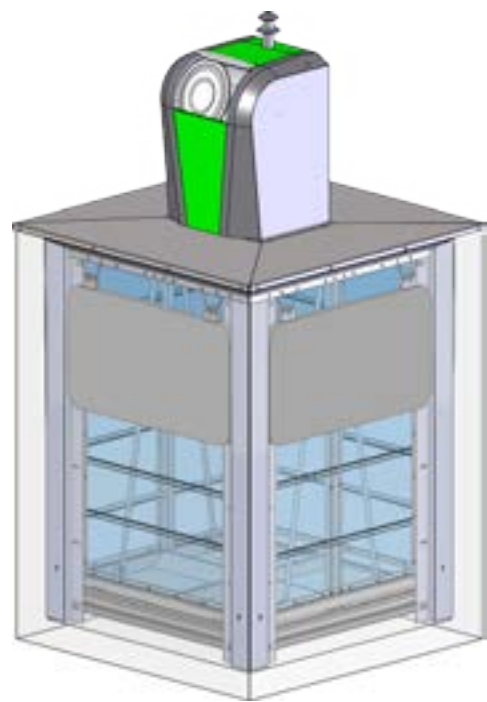
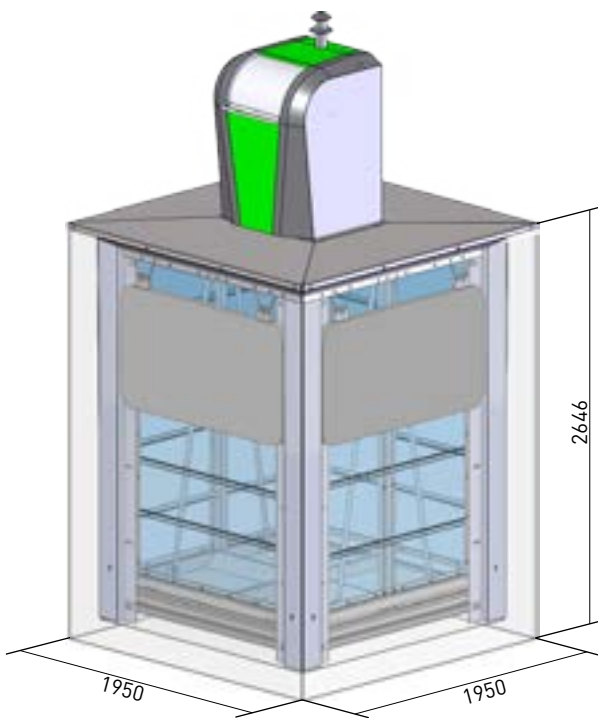
SMART-Semi Container



SMART-Semi Container with weighing cell



SMART-Sub Container



SMART-Bin Container

